

Chrome DIN Rail Power Supply

12V 25W 1 Phase (Class II & NEC Class 2) / DRC-12V30W1A□



CHROME

Highlights & Features

- Protection Class II, Double Isolation (No Earth connection is required)
- Universal AC input voltage and full power up to 55°C
- Power will not de-rate for the entire input voltage range
- Efficiency > 85.0% @ 115Vac & 230Vac
- NEC Class 2 / Limited Power Source (LPS) certified
- Overvoltage / Overcurrent / Over Temperature Protections

Safety Standards



CB Certified for worldwide use

Model Number: DRC-12V30W1A□
Unit Weight: 0.14 kg
Dimensions (L x W x D): 91 x 53 x 55.6 mm

General Description

The DRC-12V30W1A□ is part of the Chrome DIN Rail Power Supply series, which is designed for use in compact cabinets for home automations and the food and beverage industry. Delta's Chrome DIN Rail Power Supply series offers double isolated input. This means that no Earth connection is required thus resulting in low leakage current. This product provides a universal input voltage range of 90-264Vac, and a wide temperature range of -25°C to 71°C. The Chrome series is certified to safety standard according to IEC/EN/UL 60950-1 Information Technology Equipment (ITE) and UL 508 Industrial Control Equipment (ICE). The series is also fully compliant with RoHS Directive 2011/65/EU for environmental protection. NEC Class 2 and Limited Power Source (LPS) approvals are available for this product.

Model Information

Chrome DIN Rail Power Supply

| Model Number | Input Voltage Range | Output Voltage | Output Current |
|---------------|------------------------|----------------|----------------|
| DRC-12V30W1A□ | 90-264Vac (125-375Vdc) | 12Vdc | 2.10A |

Model Numbering

| DR | C – | 24V | 30W | 1 | A | □ |
|----------|--|----------------|------------------------------|--------------|--------|---|
| DIN Rail | Product Series C – Isolation Class II Power Supply | Output Voltage | Output Power (30W series) | Single Phase | No PFC | Z – Black Plastic Case G – Grey Plastic Case |

Chrome DIN Rail Power Supply

12V 25W 1 Phase (Class II & NEC Class 2) / DRC-12V30W1A□

Specifications

Input Ratings / Characteristics

| | |
|---------------------------------|------------------------------------|
| Nominal Input Voltage | 100-240Vac |
| Input Voltage Range | 90-264Vac |
| Nominal Input Frequency | 50-60Hz |
| Input Frequency Range | 47-63Hz |
| Nominal DC Input Voltage* | 125-375Vdc |
| Input Current | < 0.80A @ 115Vac, < 0.60A @ 230Vac |
| Efficiency at 100% Load | > 85.0% @ 115Vac & 230Vac |
| Max Inrush Current (Cold Start) | < 25A @ 115Vac, < 50A @ 230Vac |
| Leakage Current | < 0.25mA @ 240Vac |

*DC input voltage is not included in the UL safety approval. Additional testing might be necessary.

Output Ratings / Characteristics

| | |
|---|---|
| Nominal Output Voltage | 12Vdc |
| Output Voltage Tolerance | ± 2% (initial set point tolerance from factory) |
| Output Voltage Adjustment Range | 11.5-14.5Vdc |
| Output Current | 2.10A |
| Output Power | 25W |
| Line Regulation | < 1% typ. (@ 90-264Vac, 100% load) |
| Load Regulation | < 2% typ. (@ 90-264Vac, 100% load) |
| PARD (20MHz) | 150mVpp |
| Rise Time | < 100ms @ nominal input (100% load) |
| Start-up Time | < 3,000ms @ nominal input (100% load) |
| Hold-up Time | > 25ms @ 115Vac, > 30ms @ 230Vac (100% load) |
| Dynamic Response (Overshoot & Undershoot O/P Voltage) | ± 5% @ 10-100% load |
| Start-up with Capacitive Loads | 3,000µF Max |

Mechanical

| | |
|-----------------------------------|---|
| Case Cover | Plastic |
| Dimensions (L x W x D) | 91 x 53 x 55.6 mm |
| Unit Weight | 0.14 kg |
| Indicator | Green LED (DC OK) |
| Cooling System | Convection |
| Terminal | Input 2 Pins (Rated 300V/25A) Output 4 Pins (Rated 300V/25A) |
| Wire | Input / Output AWG 24-12 |
| Mounting Rail | Standard TS35 DIN Rail in accordance with EN 60715 |
| Noise (1 Meter from power supply) | Sound Pressure Level (SPL) < 25dBA |

Chrome DIN Rail Power Supply

12V 25W 1 Phase (Class II & NEC Class 2) / DRC-12V30W1A□

Environment

| | | |
|-----------------------------|-----------|--|
| Surrounding Air Temperature | Operating | -25°C to +71°C |
| | Storage | -25°C to +85°C |
| Power De-rating | | > 55°C de-rate power by 2.5% / °C |
| Operating Humidity | | 5 to 95% RH (Non-Condensing) |
| Operating Altitude | | 0 to 2,000 Meters |
| Shock Test (Operating) | | IEC 60068-2-27, Half Sine Wave: 4G for a duration of 22ms, 3 shocks for each 3 directions, 9 times in total |
| Vibration (Operating) | | IEC 60068-2-6, Sine Wave: 10-500Hz @ 19.6m/S ² (2G peak); 10 min per cycle, 60 min for all X, Y, Z directions |
| Pollution Degree | | 2 |

Protections

| | |
|--------------------------|---|
| Overvoltage | < 17.4V, SELV Output, Latch-off Mode |
| Overload / Overcurrent | > 130% of rated load current, Hiccup Mode, Non-Latching (Auto-Recovery when the fault is removed) |
| Over Temperature | > 75°C Surrounding Air Temperature @ 100% load, Latch-off Mode |
| Short Circuit | Hiccup Mode, Non-Latching (Auto-Recovery when the fault is removed) |
| Degree of Protection | IP20 |
| Protection Against Shock | Class II (No PE* connection is required) |

*PE: Primary Earth

Reliability Data

| | |
|------------------------|---|
| MTBF | > 500,000 hrs. as per Telcordia SR-332 I/P: 100Vac, O/P: 100% load, Ta: 35°C |
| Expected Cap Life Time | 10 years (115Vac & 230Vac, 50% load @ 40°C) |

Chrome DIN Rail Power Supply

12V 25W 1 Phase (Class II & NEC Class 2) / DRC-12V30W1A□

Safety Standards / Directives

| | |
|------------------------------|--|
| Electrical Safety | TUV Bauart to EN 60950-1, UL/cUL recognized to UL 60950-1, CSA C22.2 No. 60950-1, CB scheme to IEC 60950-1, Limited Power Source (LPS) |
| Industrial Control Equipment | UL/cUL listed to UL 508 and CSA C22.2 No. 107.1-01 |
| Class 2 Power Supply | UL/cUL recognized to UL 60950-1, CSA C22.2 No. 60950-1 |
| CE | In conformance with EMC Directive 2014/30/EU and Low Voltage Directive 2014/35/EU |
| Material and Parts | RoHS Directive 2011/65/EU Compliant |
| Galvanic Isolation | Input to Output 3.0KVac |

EMC

| | |
|-----------------------------------|---|
| EMC / Emissions | CISPR 22, EN 55022, FCC Title 47: Class A* |
| Immunity to | EN 55024 |
| Electrostatic Discharge | IEC 61000-4-2 Level 3 Criteria A ¹⁾ Air Discharge: 8kV Contact Discharge: 4kV |
| Radiated Field | IEC 61000-4-3 Level 2 Criteria A ¹⁾ 80MHz-1GHz, 3V/M with 1kHz tone / 80% modulation |
| Electrical Fast Transient / Burst | IEC 61000-4-4 Level 3 Criteria A ¹⁾ 1kV |
| Surge | IEC 61000-4-5 Level 3 Criteria A ¹⁾ Common Mode ²⁾ : 2kV Differential Mode ³⁾ : 1kV |
| Conducted | IEC 61000-4-6 Level 2 Criteria A ¹⁾ 150kHz-80MHz, 3Vrms |
| Power Frequency Magnetic Fields | IEC 61000-4-8 Criteria A ¹⁾ 1A/Meter |
| Voltage Dips | IEC 61000-4-11 > 95% dip; 0.5 cycle (10ms) |
| Voltage Fluctuation and Flicker | IEC/EN 61000-3-3 |

1) Criteria A: Normal performance within the specification limits

2) Asymmetrical: Common mode (Line to earth)

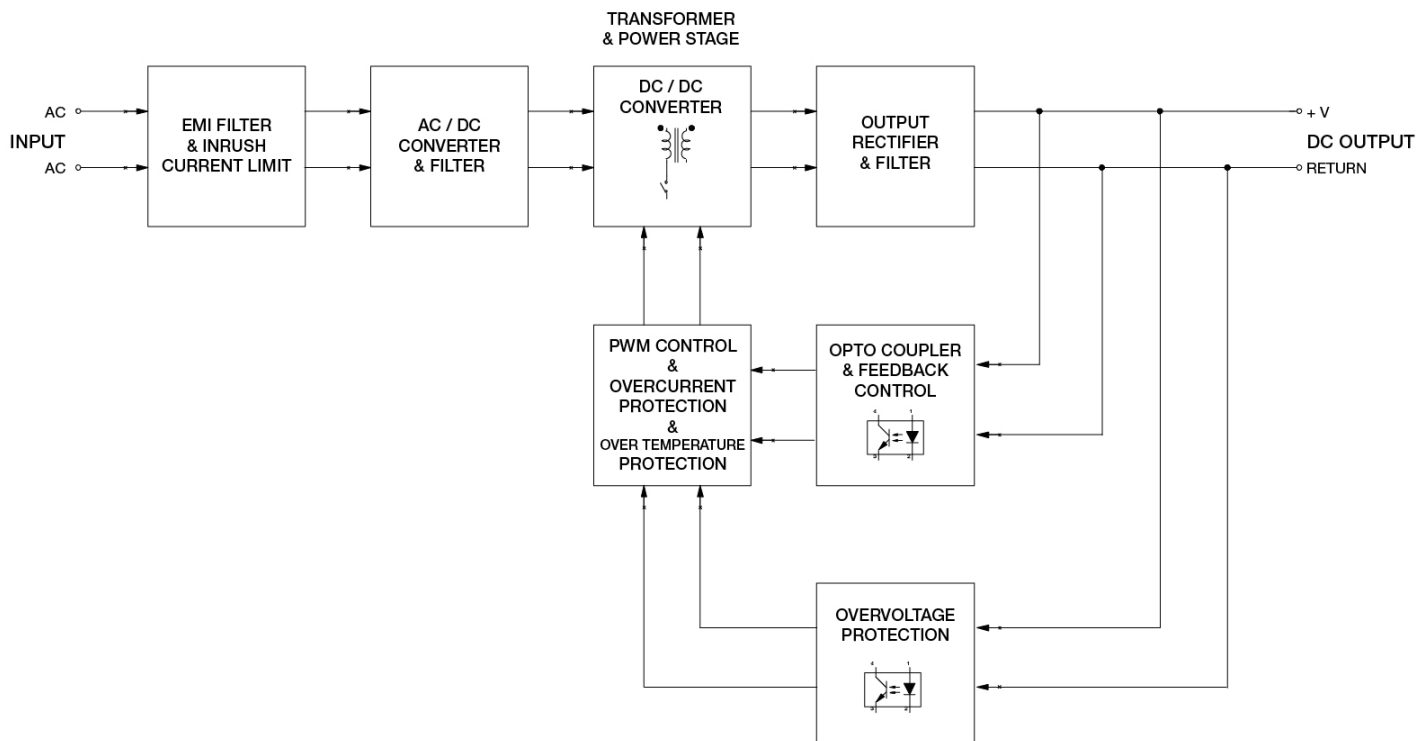
3) Symmetrical: Differential mode (Line to line)

*Warning: This is a Class A product. In a residential, commercial or light industrial environment it may cause radio interference. This product is not intended to be installed in a residential environment; in a commercial and light industrial environment with connection to the public mains supply, the user may be required to take adequate measures to reduce interference.

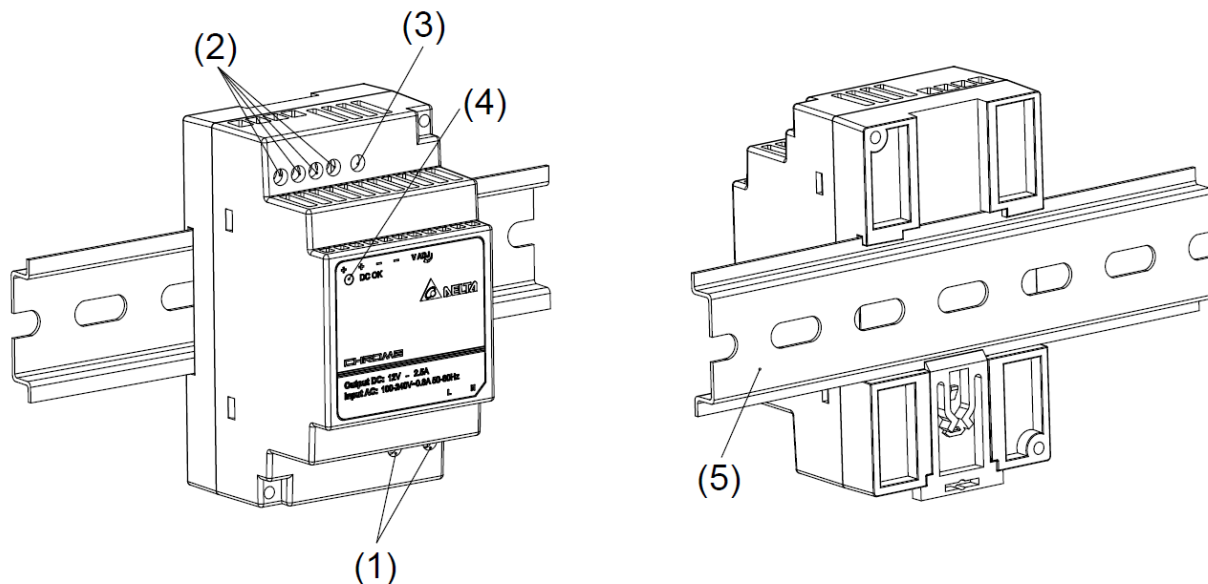
Chrome DIN Rail Power Supply

12V 25W 1 Phase (Class II & NEC Class 2) / DRC-12V30W1A□

Block Diagram



Device Description



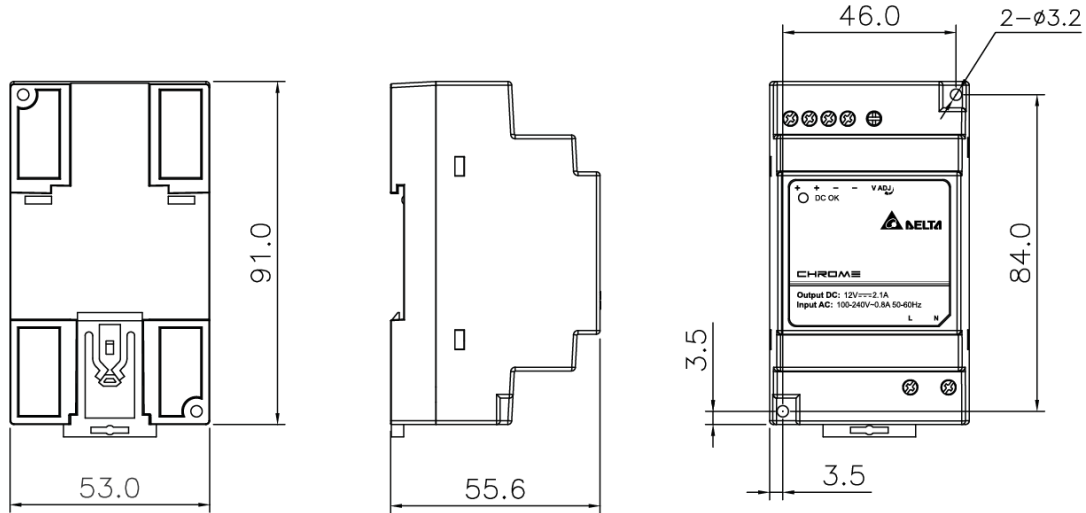
- 1) Input terminal block connector
- 2) Output terminal block connector
- 3) DC voltage adjustment potentiometer
- 4) DC OK control LED (Green)
- 5) Universal mounting system

Chrome DIN Rail Power Supply

12V 25W 1 Phase (Class II & NEC Class 2) / DRC-12V30W1A□

Dimensions

L x W x D: 91 x 53 x 55.6 mm



Engineering Data

De-rating

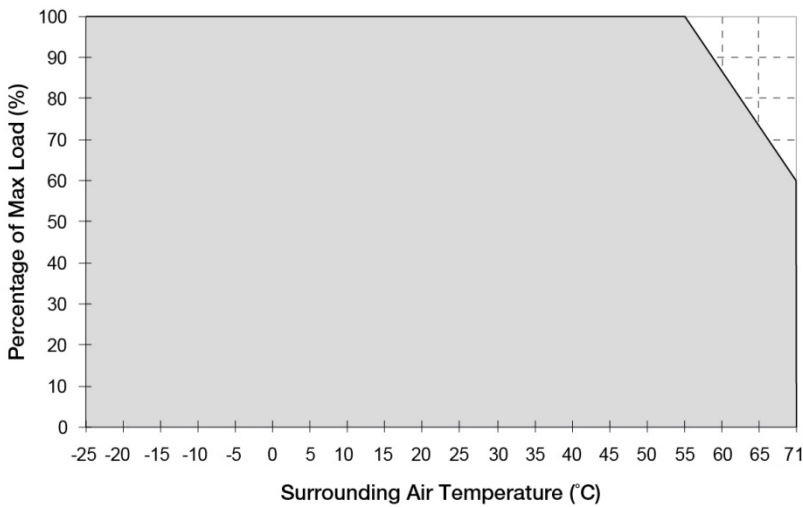


Fig. 1 De-rating for Vertical Mounting Orientation
 > 55°C de-rate power by 2.5% / °C

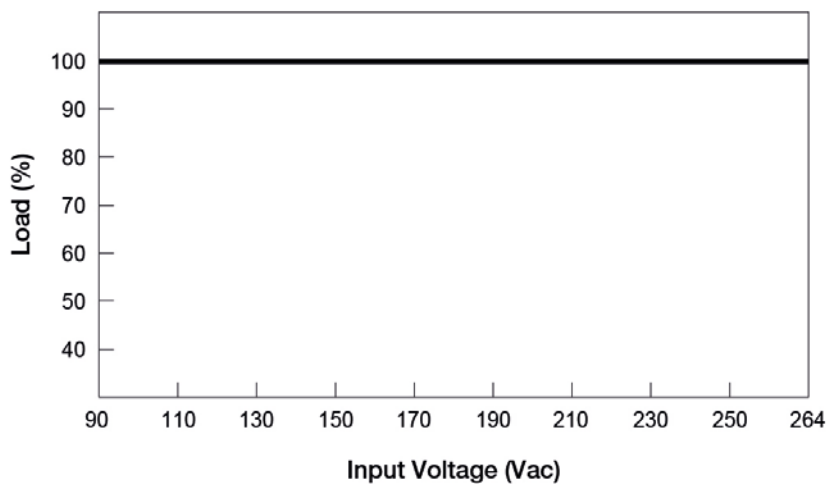
Note

1. Power supply components may degrade, or be damaged, when the power supply is continuously used outside the shaded region, refer to the graph shown in Fig. 1.
2. If the output capacity is not reduced when the surrounding air temperature >55°C, the device may run into Over Temperature Protection. When activated, the output voltage will go into latch-off mode and recoverable by AC power recycle.
3. In order for the device to function in the manner intended, it is also necessary to keep a safety distance of 25mm with adjacent units while the device is in operation.
4. Depending on the surrounding air temperature and output load delivered by the power supply, the device can be very hot!
5. If the device has to be mounted in any other orientation, please do not hesitate to contact info@deltapsu.com for more details.

Chrome DIN Rail Power Supply

12V 25W 1 Phase (Class II & NEC Class 2) / DRC-12V30W1A□

Output De-rating VS. Input Voltage



■ No output power de-rating across the entire input voltage range

Assembly & Installation

The power supply unit (PSU) can be mounted on 35mm DIN rails in accordance with EN60715. The device should be installed with input terminal block at the bottom.

Each device is delivered ready to install.

Mounting

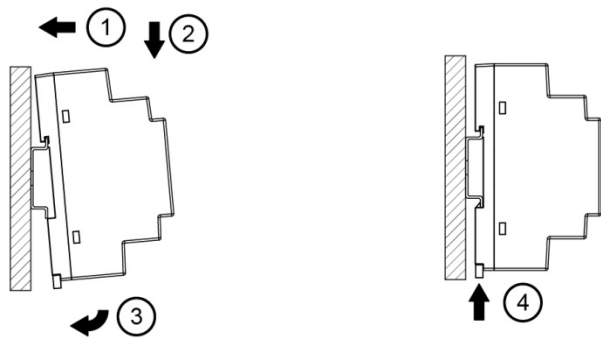


Fig. 2.1 Mounting

Snap on the DIN rail as shown in Fig. 2.1:

1. Tilt the unit upwards and insert it onto the DIN rail.
2. Push downwards until stopped.
3. Press against the bottom front side for locking.
4. Shake the unit slightly to ensure that it is secured.

Dismounting

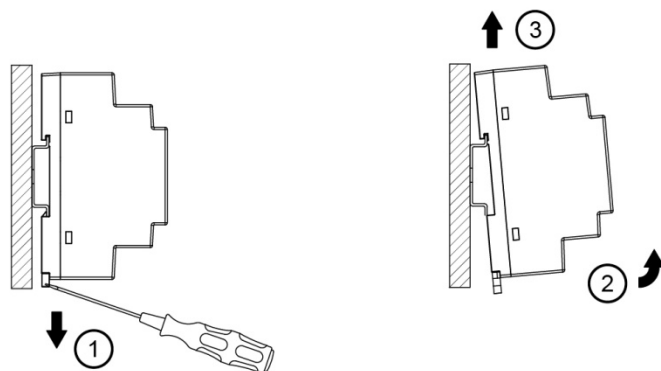


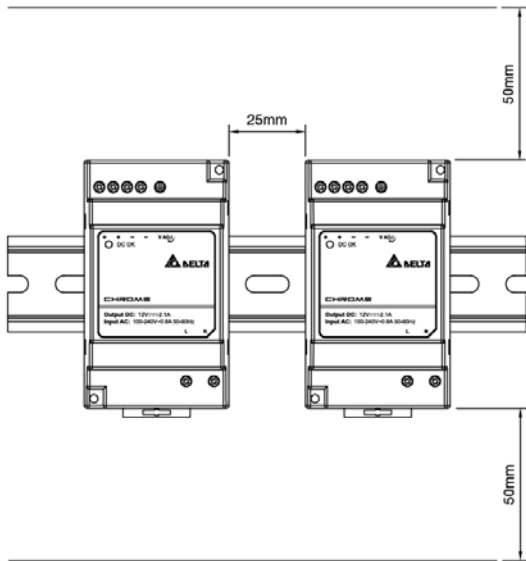
Fig. 2.2 Dismounting

To uninstall, pull or slide down the latch with screw driver as shown in Fig. 2.2. Then slide the power supply unit (PSU) in the opposite direction, release the latch and pull out the power supply unit (PSU) from the rail.

Chrome DIN Rail Power Supply

12V 25W 1 Phase (Class II & NEC Class 2) / DRC-12V30W1A□

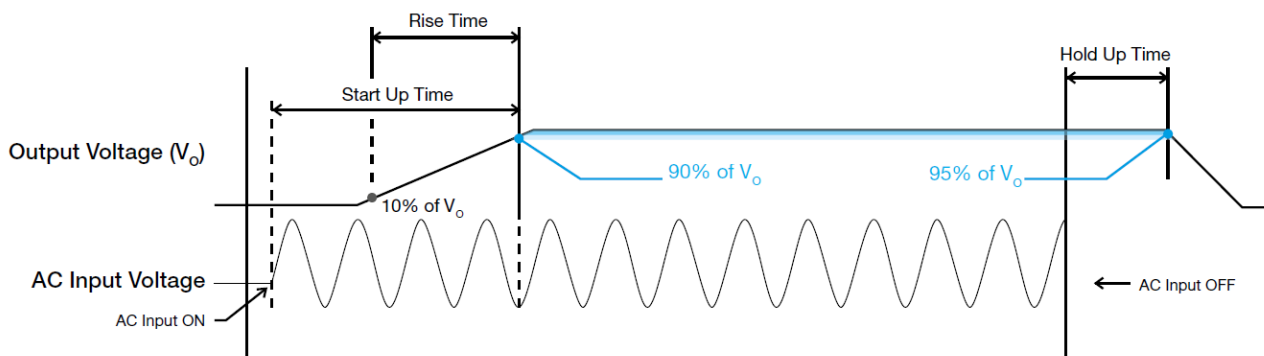
Safety Instructions



- ALWAYS switch mains of input power OFF before connecting and disconnecting the input voltage to the unit. If mains are not turned OFF, there is risk of explosion / severe damage.
- **To guarantee sufficient convection cooling, keep a distance of 50mm above and below the device as well as a lateral distance of 25mm to other units.**
- Note that the enclosure of the device can become very hot depending on the surrounding air temperature and load of the power supply. Risk of burns!
- DO NOT insert any objects into the unit.
- Hazardous voltages may be present for up to 5 minutes after the input mains voltage is disconnected. Do not touch the unit during this time.
- The power supplies unit should be installed in minimum IP54 rated enclosure.
- The power supplies are built in units and must be installed in a cabinet or room (condensation free environment and indoor location) that is relatively free of conductive contaminants.

Functions

■ Graph illustrating the Start-up Time, Rise Time, and Hold-up Time



Start-up Time

The time required for the output voltage to reach 90% of its set value, after the input voltage is applied.

Rise Time

The time required for the output voltage to change from 10% to 90% of its set value.

Hold-up Time

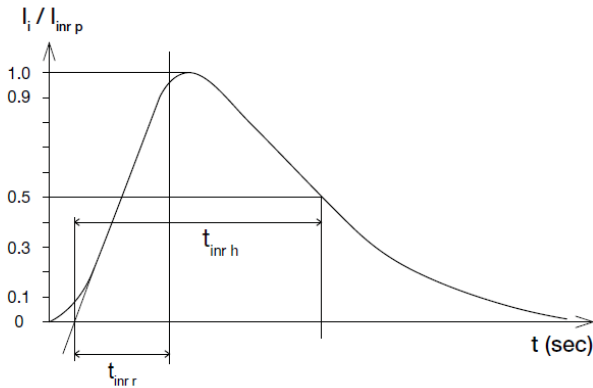
Hold up time is the time when the AC input collapses and output voltage retains regulation for a certain period of time. The time required for the output to reach 90% of its set value, after the input voltage is removed.

Chrome DIN Rail Power Supply

12V 25W 1 Phase (Class II & NEC Class 2) / DRC-12V30W1A□

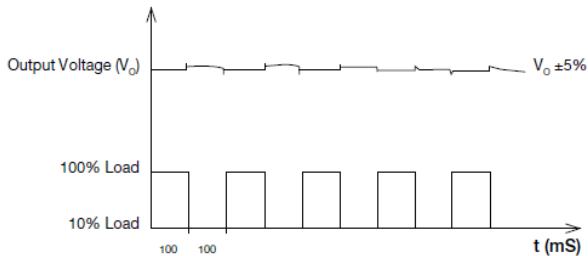
Inrush Current

Inrush current is the peak, instantaneous, input current measured and, occurs when the input voltage is first applied. For AC input voltages, the maximum peak value of inrush current will occur during the first half cycle of the applied AC voltage. This peak value decreases exponentially during subsequent cycles of AC voltage.



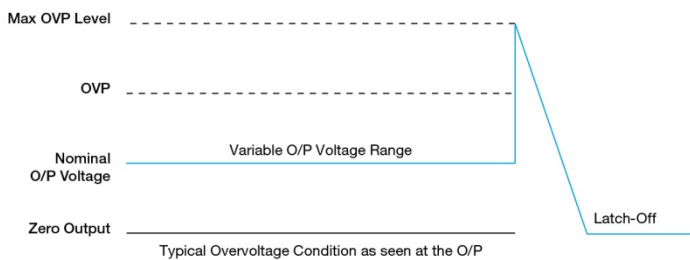
Dynamic Response

The power supply output voltage will remain within $\pm 5\%$ of its steady state value, when subjected to a dynamic load from 10 to 100% of its rated current.



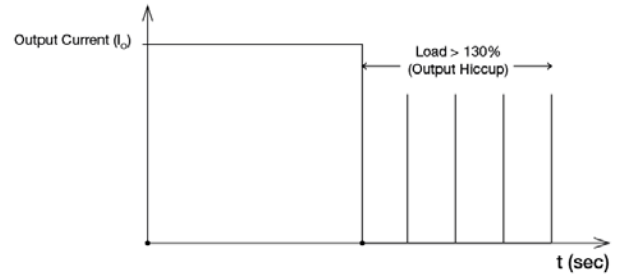
Overvoltage Protection

The power supply's overvoltage circuit will be activated when its internal feedback circuit fails. The output voltage shall not exceed its specifications defined on Page 3 under "Protections".



Overload & Overcurrent Protections

The power supply's Overload (OLP) and Over current (OCP) Protections will be activated when output current exceeds 130% of I_o (Max load). In such occurrence, once the power supply has reached its maximum power limit, the protection is activated and the power supply will go into "Hiccup mode" (Auto-Recovery). The power supply will recover once the fault condition of the OLP and OCP is removed and I_o is back within the specifications.



Over Temperature Protection

As mentioned above, the power supply also has Over Temperature Protection (OTP). In the event of a higher operating temperature at 100% load, the power supply will run into OTP when the operating temperature is beyond what is recommended in the de-rating graph. When activated, the output voltage will go into latch-off mode until the component temperature cools down and the AC power is recycled.

Short Circuit Protection

The power supply's output OLP/OCP function also provides protection against short circuits. When a short circuit is applied, the output current will operate in "Hiccup mode", as shown in the illustration in the OLP/OCP section on this page. The power supply will return to normal operation after the short circuit is removed.



Chrome DIN Rail Power Supply

12V 25W 1 Phase (Class II & NEC Class 2) / DRC-12V30W1A□

Others

Delta RoHS Compliant



Restriction of the usage of hazardous substances

The European directive 2011/65/EU limits the maximum impurity level of homogeneous materials such as lead, mercury, cadmium, chrome, polybrominated flame retardants PBB and PBDE for the use in electrical and electronic equipment. RoHS is the abbreviation for “Restriction of the use of certain hazardous substances in electrical and electronic equipment”.

This product conforms to this standard.