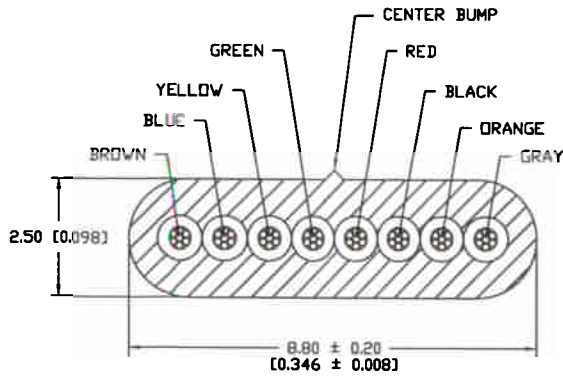
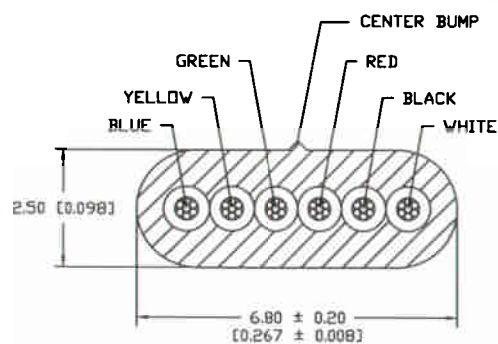


THESE DRAWINGS AND SPECIFICATIONS ARE THE SOLE PROPERTY OF I/O INTERCONNECT INC., U.S.A. AND SHALL NOT BE REPRODUCED, COPIED, OR USED IN ANY MANNER WITHOUT THE WRITTEN CONSENT OF I/O INTERCONNECT INC. OR ITS AFFILIATED SUBSIDIARIES.

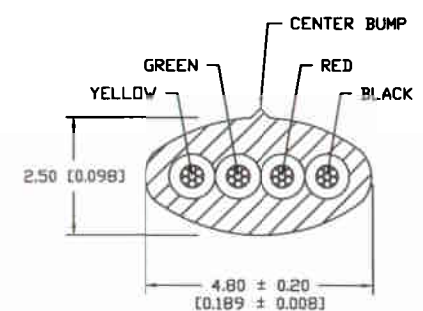
DWG. NO.	ZONE	REV.	DESCRIPTION	DATE	APPROVED
X10-0X0		J	ECN C682	07/24/02	P.S.
		K	ADD NOTE & CHANGE P/N TO REFLECT RDHS COMPLIANT, CHANGE PACKAGING SPEC. PER ACTUAL DATA PER ECN D822	04/14/05	M.G.



8 CONDUCTOR CABLE



6 CONDUCTOR CABLE



4 CONDUCTOR CABLE

NOTES: UNLESS OTHERWISE SPECIFIED.

1.0 MATERIAL AND SPECIFICATIONS

- 1.01 CONDUCTORS: 26 AWG (12/0.12 mm) STRANDED BARE COPPER.
- 1.02 INSULATION: POLYPROPYLENE
- 1.03 COLOR: PER CALLOUT
- 1.04 PACKAGING: (SEE PAGE 2)

2.0 ELECTRICAL CHARACTERISTICS

- 2.01 TEMPERATURE & VOLTAGE RATING: 80°C 30 V
- 2.02 CONDUCTORS RESISTANCE: 148 OHMS/KM MAX. AT 20°C
- 2.03 INSULATION RESISTANCE: 100 MEGAOHMS/KM MIN. AT 20°C
- 2.04 CAPACITANCE: 15 PF/FT (MAX)
- 2.05 DIELECTRIC TEST: AC-500V PER 1 MINUTE

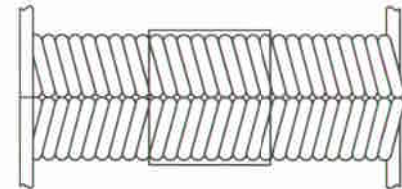
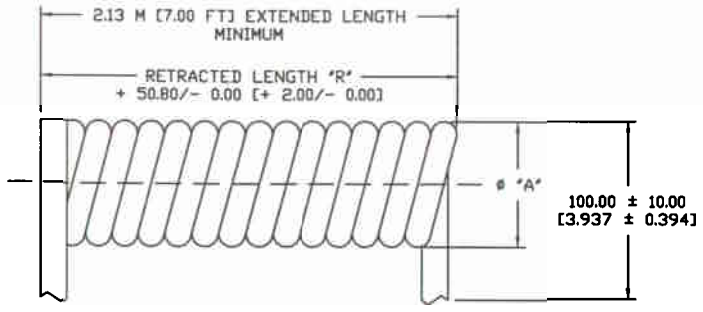
3.0 PLACE BAR CODE LABEL ON THE OUTSIDE OF EACH SHIPPING BOX LABEL DETAIL SEE DWG 090-990-001. FOR CUSTOMER CODE 4DGK ONLY.

GLF-121-410-000	4	SILVER SATIN	[0.551 ± 0.039] 14.00 ± 1.00
GLF-121-410-010	4	BLACK	[0.551 ± 0.039] 14.00 ± 1.00
GLF-121-410-020	4	WHITE	[0.551 ± 0.039] 14.00 ± 1.00
GLF-121-610-000	6	SILVER SATIN	[0.551 ± 0.039] 14.00 ± 1.00
GLF-121-610-010	6	BLACK	[0.551 ± 0.039] 14.00 ± 1.00
GLF-121-610-020	6	WHITE	[0.551 ± 0.039] 14.00 ± 1.00
GLF-121-810-000	8	SILVER SATIN	[0.748 ± 0.039] 19.00 ± 1.00
GLF-121-810-010	8	BLACK	[0.748 ± 0.039] 19.00 ± 1.00
GLF-121-810-020	8	WHITE	[0.748 ± 0.039] 19.00 ± 1.00
I/O INTERCONNECT PART NUMBER	NUMBER OF CONDUCTORS	COLOR	∅ "A"

<p>THIRD ANGLE PROJECTION</p>		<p>I/O INTERCONNECT SANTA ANA, CALIFORNIA</p>	
<p>UNLESS OTHERWISE NOTED: 1) DIMENSIONS ARE IN MILLIMETER (INCHES) 2) TOLERANCES: X.X ± 10.0 [0.39] X.XX ± 0.25 [0.01]</p>		<p>DR BY: JERRY SUN 04/14/05 DR CHECKER: M. CHEDEN</p>	<p>TITLE: 26 AWG (12/0.12 mm) BARE COPPER, 7.00 FT EXTENDED, NON-UL, UNSHIELDED, MODULAR CABLE</p>
REV:		PART NO:	GLF-121-X10-0X0
ENGINEER:		DWG NO:	GLF-121-X10-0X0
DIST./SALES:		CUSTOMER:	I/O INTERCONNECT
REV.:	K	SCALE:	NONE
SHEET:	1 OF 2		

THESE DRAWINGS AND SPECIFICATIONS ARE THE SOLE PROPERTY OF I/O INTERCONNECT INC., U.S.A. AND SHALL NOT BE REPRODUCED, COPIED, OR USED IN ANY MANNER WITHOUT THE PRIOR WRITTEN CONSENT OF I/O INTERCONNECT INC OR ITS AFFILIATED SUBSIDIARIES.

DWG. NO.	ZONE	REV.	DESCRIPTION	DATE	APPROVED
X10-0X0		J	ECN C682	07/24/02	P.S.
		K	ADD NOTE & CHANGE P/N TO REFLECT ROHS COMPLIANT. CHANGE PACKING SPEC. PER ACTUAL DATA PER ECN DB22	04/14/05	M.G.



BUNDLE SPECIFICATION

NOTES: UNLESS OTHERWISE SPECIFIED.

4.0 PACKAGING SPECIFICATION

- 4.01 USE CLEAR TAPE TO BUNDLE 25 CABLES TOGETHER AT THE MID SECTION.
- 4.02 PLACE PLASTIC BAG IN SHIPPING BOX, SEE TAB BLOCK FOR PACKAGING QUANTITY PER SHIPPING BOX. CLOSE PLASTIC BAG AND SEAL BOX ALONG 3 SURFACES WITH TAPE.
- 5.0 PART TO BE ROHS COMPLIANT.

4	533.40	[21.000]	L=13.00" X W=25.00" X H=9.00"	10 BUNDLE, 250 PCS
6	609.60	[24.000]	L=13.00" X W=25.00" X H=9.00"	10 BUNDLE, 250 PCS
8	711.20	[28.000]	L=13.00" X W=30.00" X H=9.00"	5 BUNDLE, 125 PCS
CONDUCTORS NUMBER OF	MILLIMETERS	INCHES	DIMENSION MAX. OUTSIDE SHIPPING BOX	PACKAGING QUANTITY PER SHIPPING BOX

TABULATION BLOCK

THIRD ANGLE PROJECTION

UNLESS OTHERWISE NOTED:
 1) DIMENSIONS ARE IN MILLIMETER [INCHES]
 2) TOLERANCES:
 X.X ± 10.0 [0.39]
 X.XX ± 0.25 [0.01]

I/O INTERCONNECT
 SANTA ANA, CALIFORNIA

DR. BY: JERRY SUN	DATE: 04/14/05	TITLE: 26 AWG (12/0.12 mm) BARE COPPER, 7.00 FT EXTENDED, NON-UL, UNSHIELDED, MODULAR CABLE
DR. CHECKED:		
NO.:		PART NO.: GLF-121-X10-0X0
DESIGNED:		DWG NO.: GLF-121-X10-0X0
DIST./SALES:		CUSTOMER: I/O INTERCONNECT
BA:		REV. K
	SCALE: NONE	SHEET 2 OF 2