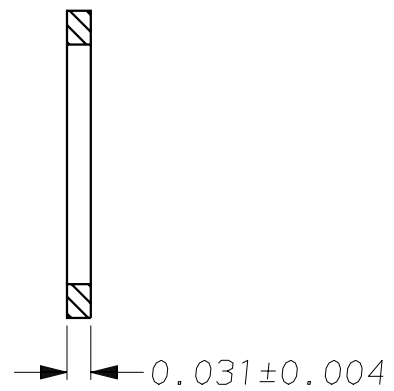
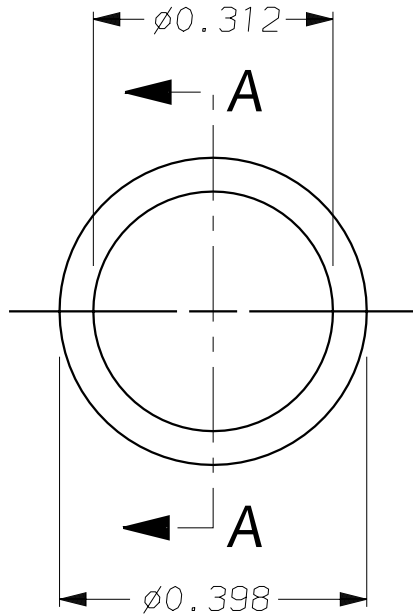


ALL DIMS. AND TOLS. PER ANSI Y14.5	NAME PL/FB	DATE 3/6/73	7955 SHT. OF	REV B		
	SCALE 4:1	APPR.				
TOLERANCES		<p align="center">CKW PANEL SEAL</p> <p align="center">OPTION</p>				
DECIMAL	ANGLE				UNLESS OTHERWISE SPECIFIED DIMENSIONS ARE IN INCHES	
.XX±	.XXX± .005 ±				THIS DOCUMENT AND THE INFORMATION IN IT IS THE EXCLUSIVE PROPERTY OF C&K COMPONENTS, INC., AND IS NOT TO BE USED OR DISCLOSED WITHOUT THE EXPRESS WRITTEN PERMISSION OF C&K COMPONENTS, INC.	
<input checked="" type="checkbox"/> CRITICAL - MUST COMPLY WITH C&K QUALIFICATION STD. CKQI0019 <input type="checkbox"/> MAJOR DIMENSION						



SECTION A-A

CAD FILE NO.: 7955

NOTES:

1. MATERIAL: BUNA-N, DUROMETER 65
2. UNLESS OTHERWISE SPECIFIED:
 - a. MOLDING FLASH NOT TO EXCEED 0.005 MAX.
CIRC. BY 0.003 MAX. RADIAL.
3. PARTS MUST BE CLEAN AND DRY.
4. SILICONE-BASED MOLD RELEASE OR ADDITIVES ARE NOT PERMITTED.
5. C&K PRODUCT ENGINEERING APPROVAL MUST BE OBTAINED PRIOR TO ANY MODIFICATIONS TO EXISTING EJECTOR PINS, PARTING LINE, GATE AND CAVITY ID LOCATIONS.
- Ⓑ 6. REV 'B' CREATED PER TOOLING TRANSFER PROCEDURE FOR TOOL RE-LOCATION AND TRACEABILITY.
- Ⓑ 7. THIS PART MUST BE RoHS COMPLIANT AND MEET ALL REQUIREMENTS OF RoHS DIRECTIVE 2002/95/EC.

ECN	SYM	DESCRIPTION	DATE	ECN	SYM	DESCRIPTION	DATE
6460	A	REDRAWN ON CAD, REVISED NOTES, DELETED C&K SPEC 401 DESCRIPTION	3/21/94 FB				
ECO# 0005512	B	ADDED NOTES 6 & 7	9/1/09 CAB				

7955

SHT.

OF

REV
B