

MATERIALS AND FINISHES

BODY, CAP: BRASS
PLATED SEE TABLE

CENTER CONTACT: BRASS
PLATED GOLD

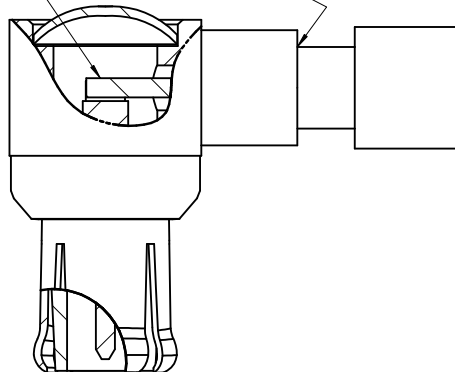
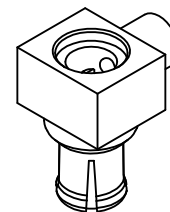
INSULATOR, SPACER: TEFLON

OUTER CONTACT: BERYLLIUM COPPER
PLATED GOLD

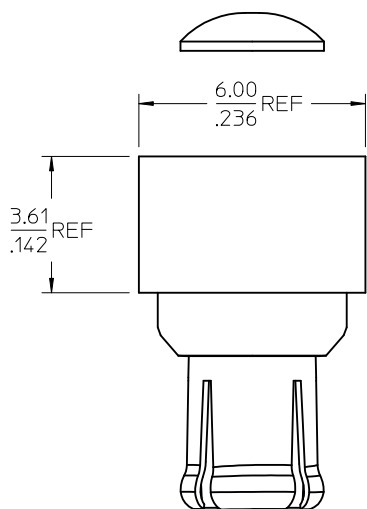
SOLDER

2.79
.110 REF

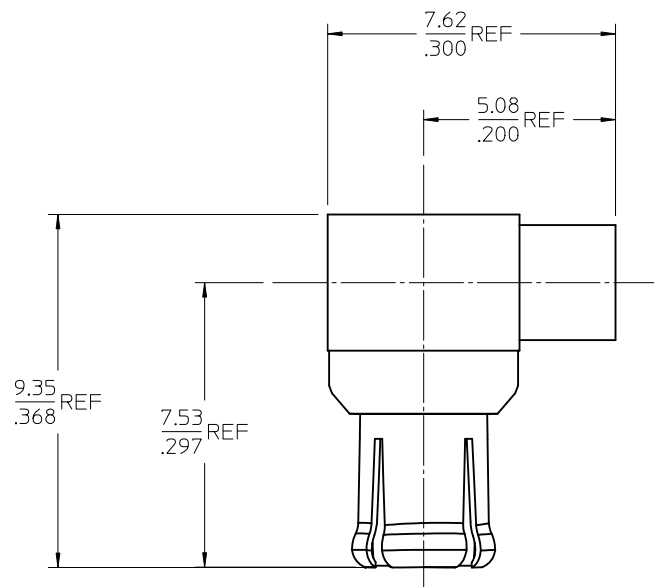
.086 OR EQUIVALENT CABLE
BELDEN 1671J (SHOWN)



7.11
.280 REF



CAP



PS-89675-1740	PRODUCT SPECIFICATION
CECC-22-220	INTERFACE
SPECIFICATION	DESCRIPTION

73415-2383	GOLD	GOLD	-
73415-2382	NICKEL	NICKEL	73366-6032
73415-2381	GOLD	GOLD	73366-6030
73415-2380	TIN	NICKEL	73366-6031
PART NO.	BODY	CAP	SAME AS
	FINISH	FINISH	

ADDED P/N: 73415-2383 PER PDR110908 EC NO: URF2012-0568 DRWNLIN 2011/10/07 CHKD: APPR:MHUANG 2012/04/11 REV: B1	QUALITY SYMBOLS ▽=0 ▽=0	GENERAL TOLERANCES (UNLESS SPECIFIED) <table border="1"> <tr> <th></th> <th>mm</th> <th>INCH</th> </tr> <tr> <td>4 PLACES</td> <td>± .005</td> <td>± .0002</td> </tr> <tr> <td>3 PLACES</td> <td>± .005</td> <td>± .0002</td> </tr> <tr> <td>2 PLACES</td> <td>± .005</td> <td>± .0002</td> </tr> <tr> <td>1 PLACE</td> <td>± .005</td> <td>± .0002</td> </tr> </table> ANGULAR ± 2°		mm	INCH	4 PLACES	± .005	± .0002	3 PLACES	± .005	± .0002	2 PLACES	± .005	± .0002	1 PLACE	± .005	± .0002	DIMENSION STYLE MM/IN DRAWN BY DATE SSS 2000/07/26 CHECKED BY DATE TEF 2000/07/27 APPROVED BY DATE GMH 2000/07/27	SCALE DESIGN UNITS METRIC THIRD ANGLE PROJECTION	TITLE MCX PLUG, R/A 50 OHMS FOR 086 CABLE MCX-PC	MATERIAL NO. SEE TABLE SIZE C	DOCUMENT NO. SD-73415-238 SHEET NO. 1 OF 1
		mm	INCH																			
	4 PLACES	± .005	± .0002																			
	3 PLACES	± .005	± .0002																			
2 PLACES	± .005	± .0002																				
1 PLACE	± .005	± .0002																				
DRAFT WHERE APPLICABLE MUST REMAIN WITHIN DIMENSIONS																						
THIS DRAWING CONTAINS INFORMATION THAT IS PROPRIETARY TO MOLEX INCORPORATED AND SHOULD NOT BE USED WITHOUT WRITTEN PERMISSION																						
MOLEX MOLEX INCORPORATED																						