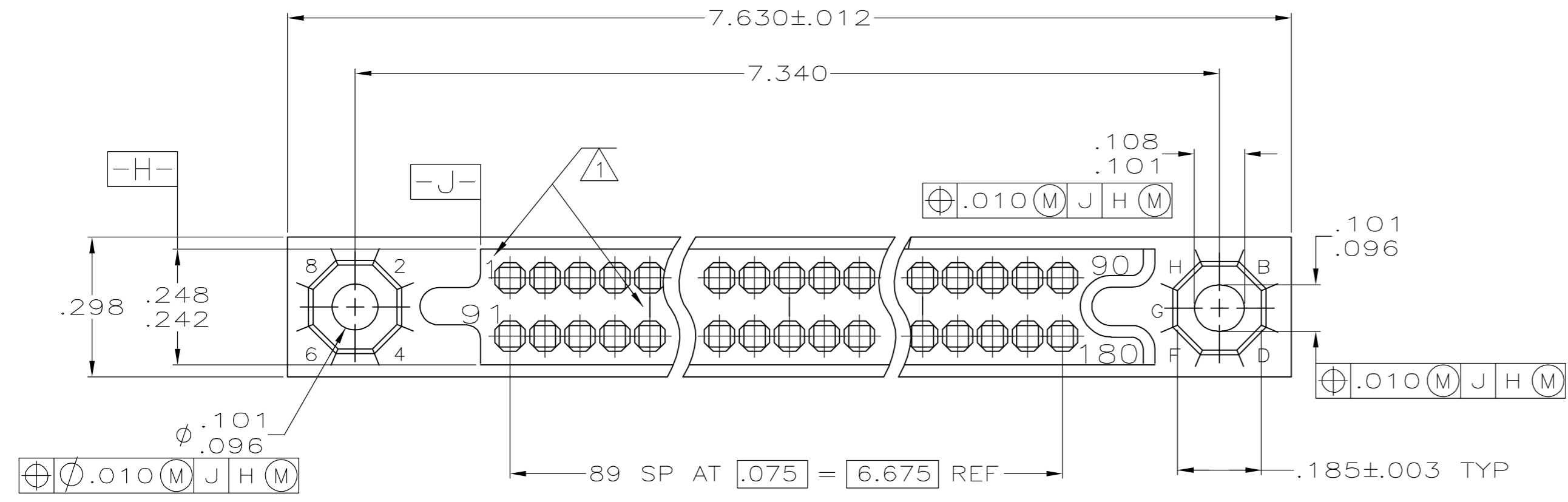
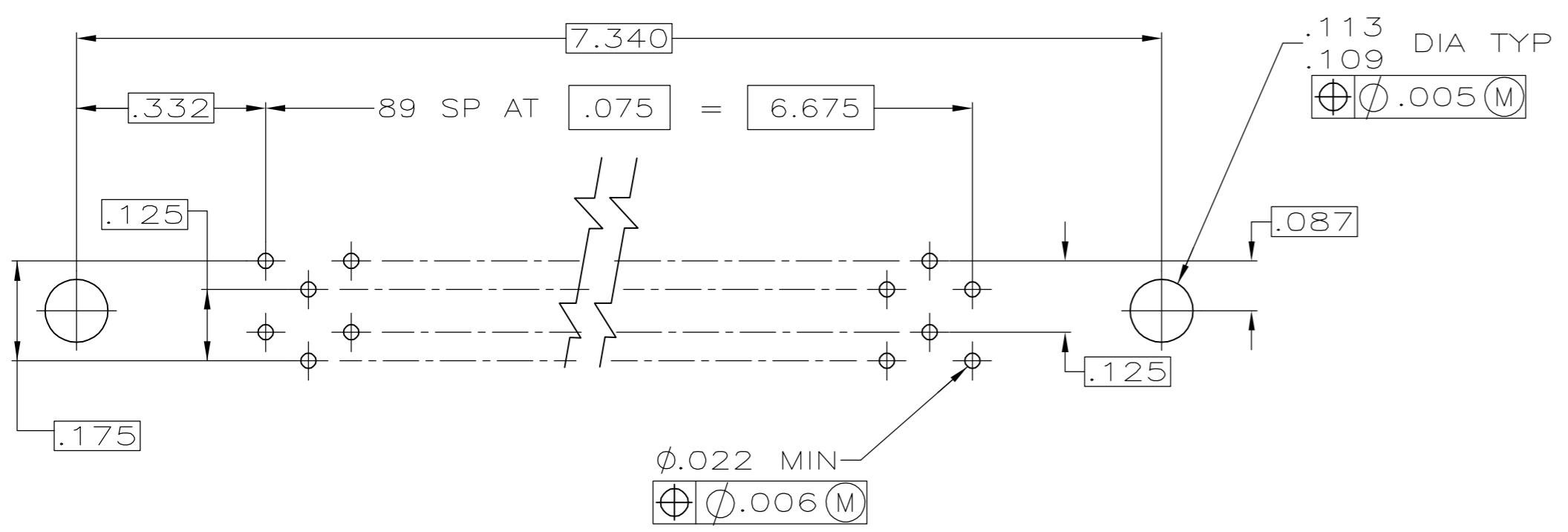
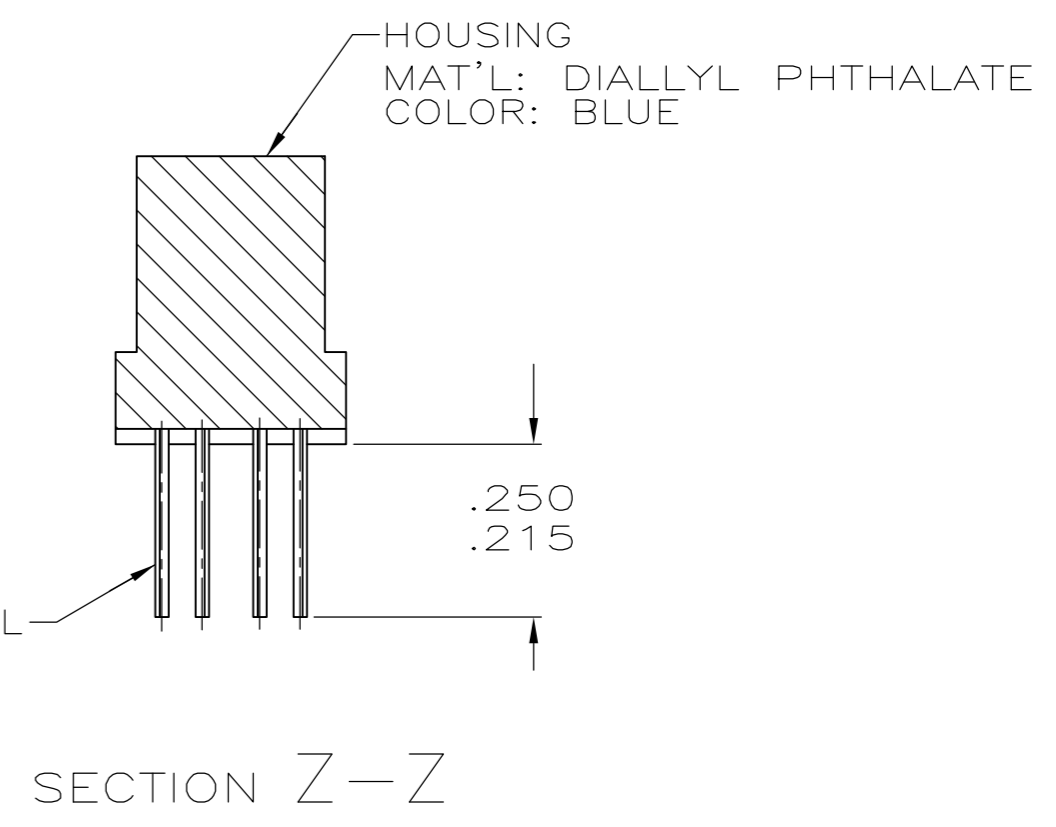
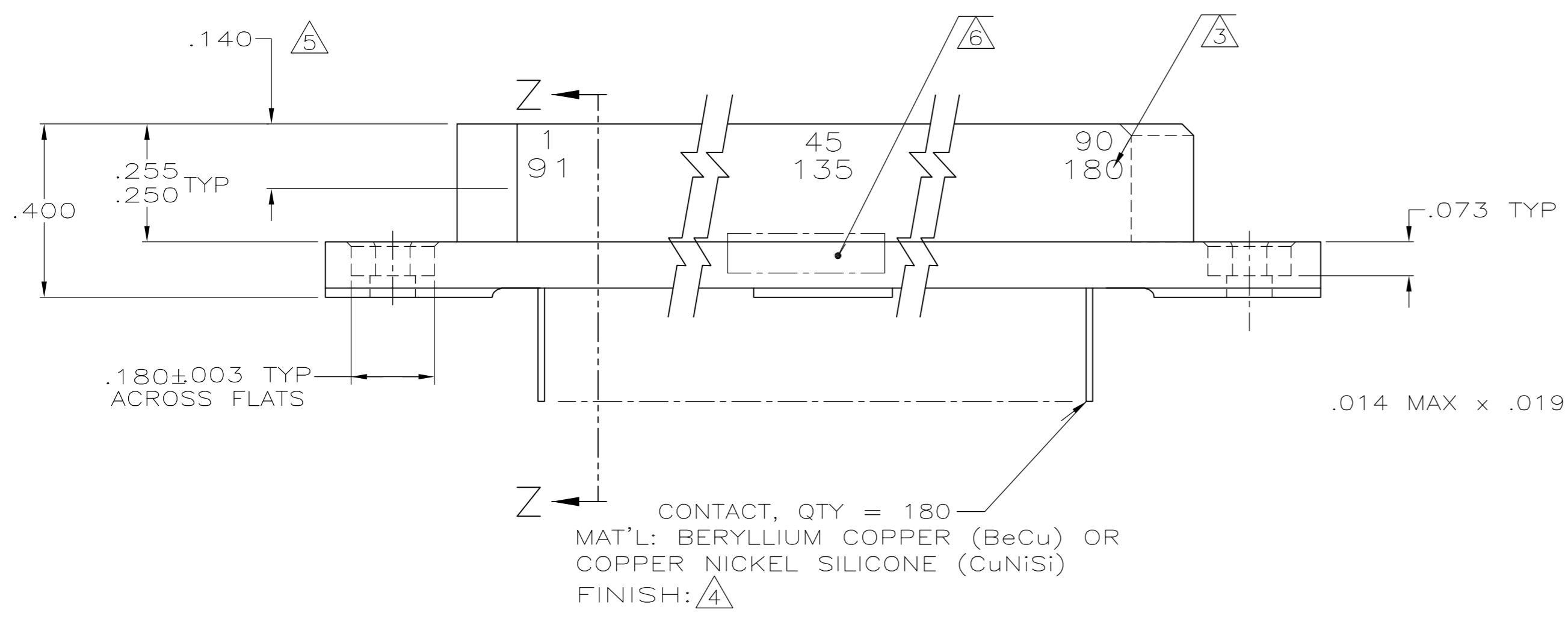


THIS DRAWING IS UNPUBLISHED. RELEASED FOR PUBLICATION  
 © COPYRIGHT BY TYCO ELECTRONICS CORPORATION. ALL RIGHTS RESERVED.

LOC		DIST		REVISIONS			
P	LTR	DESCRIPTION	DATE	DWN	APVD		
	B	REV PER ECO-07-004569	08MAR07	PY	ND		



- 1 NUMBERS & LINES INDICATING EVERY FIVE CAVITIES MARKED ON MATING FACE.
- 2. CONNECTOR MEETS ALL APPLICABLE REQUIREMENTS OF MIL-C-55302.
- 3 NUMBERS INDICATING EVERY FIVE CAVITIES MARKED ON THIS SIDE.
- 4 FINISH: PLATED GOLD .000050 THK IN CONTACT AREA. TAIL PLATED TIN-LEAD .000100 THK, ALL OVER NICKEL .000030 THK.
- 5 MAX DEPTH OF CONTACT POINT.
- 6 AMP, PART NO., & DATE CODE MARKED IN THIS AREA.



RECOMMENDED P.C. BOARD LAYOUT (CONNECTOR SIDE)

THIS DRAWING IS A CONTROLLED DOCUMENT.		DWN C.C.THOMAS 11-3-88	Tyco Electronics Corporation Harrisburg, PA 17105-3608	
DIMENSIONS: INCHES		CHK J.P.SCHOLZ 11-4-88		
TOLERANCES UNLESS OTHERWISE SPECIFIED:		APVD J.P.SCHOLZ 11-4-88	NAME	
0 PLC ± -		PRODUCT SPEC	RECEPTACLE ASSY, 750	
1 PLC ± -		APPLICATION SPEC	SERIES BOX, FLOW SOLDER CONTACTS,	
2 PLC ± -			50 AU DUPLEX	
3 PLC ± .005			SIZE A2	CAGE CODE 00779
4 PLC ± -			DRAWING NO C=445696	RESTRICTED TO
ANGLES ± -		WEIGHT -	SCALE 2:1	SHEET 1 of 1
FINISH		CUSTOMER DRAWING	REV B	

445696