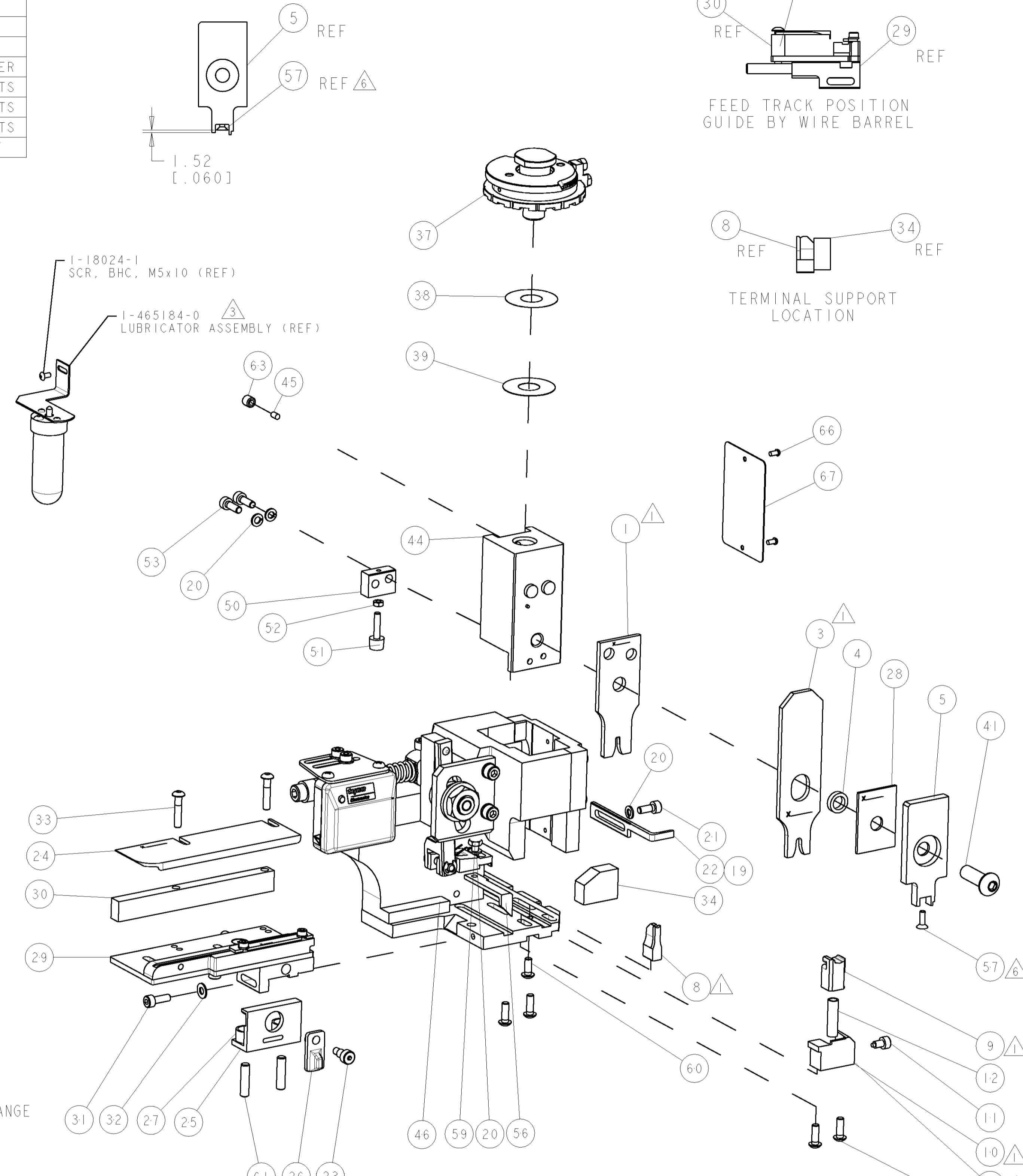
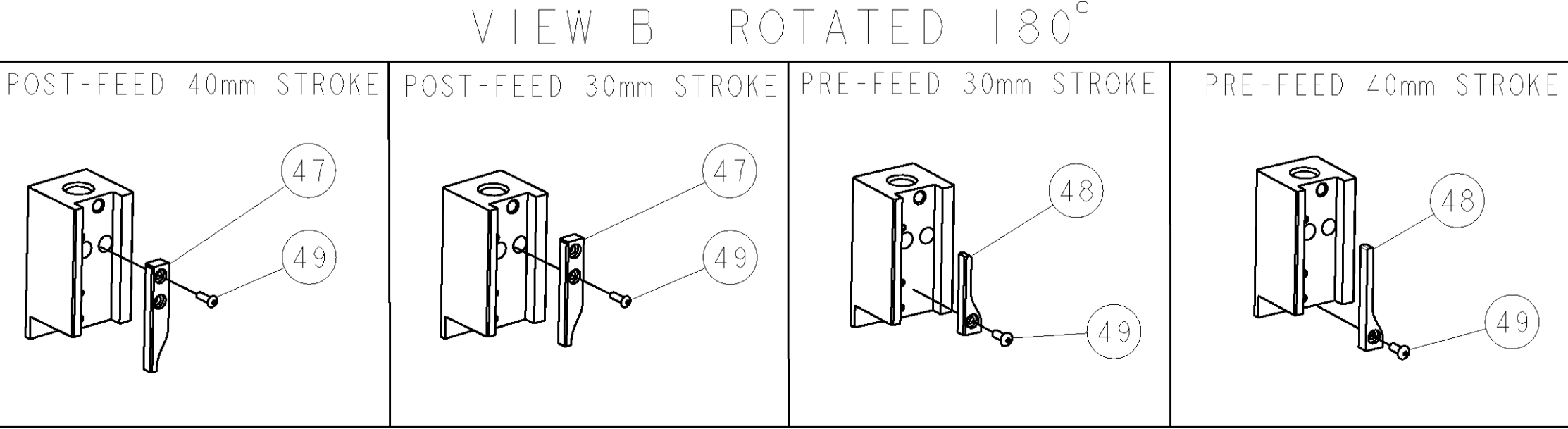


PART NUMBER	REV	TERMINATOR	FEED TYPE	DESCRIPTION
1528563-1	A	LEADMAKER	MECH POST FEED	CUTS CARRIER
1528563-2	A	BENCH	MECH PRE FEED	CUTS CARRIER
1528563-6	A	LEADMAKER	MECH POST FEED	CONTINUOUS CARRIER
7-1528563-1	A	LEADMAKER	MECH POST FEED	-1 AND SPARE PARTS
7-1528563-2	A	BENCH	MECH PRE FEED	-2 AND SPARE PARTS
7-1528563-6	A	LEADMAKER	MECH POST FEED	-6 AND SPARE PARTS
7-1528563-7	A	-	-	SPARE PARTS KIT

CRIMP DATA		TYCO TERMINAL	TYCO CRIMP SPEC
TERMINAL NAME: 1.6 SYSTEM TERMINAL MALE / FEMALE			
CRIMP	SIZE	TYPE	RANGE
WIRE	2.54 [1.00 IN]	F	1.50mm ² -2.00mm ²
INSUL	3.81 [1.50 IN]	O	2.20-2.80 [1.087-1.110 IN]
WIRE STRIP LENGTH	4.00-4.80 [1.57-1.89 IN]	APPL INSTRUCTIONS 408-8322 & 408-8490	
TERMINAL APPL SPEC		114-20121	FEED [2.50 [1.492 IN]]
TERMINALS APPLIED			
TYCO PN	TYCO SEAL PN	-	-
1-1437709-3	1-1437713-3	-	-
1-1437709-6	1-1437713-3	-	-
1-1437709-7	1-1437713-3	-	-
1437709-1	1-1437713-3	-	-
WIRE SIZE	CRIMP HEIGHT	REF SETTING	
2.00mm ²	1.65 ± 0.05 [1.065 ± .002 IN]	C2	
1.50mm ²	1.50 ± 0.05 [1.059 ± .002 IN]	D3	



*** WARNING**
ON INSTALLATION, SET WIRE DISC TO LARGEST WIRE SIZE SETTING. USE OF SETTINGS BELOW MIN. REQUIRED CRIMP HEIGHT SETTING WILL CAUSE DAMAGE TO CRIMP TOOLING.



PART NO	DESCRIPTION	ITEM NO
-77		83
-76		82
-72		81
-71		80
-6		79
-2		78
-1		77
		76
		75
		74

SET UP GAGE 458637-3

LOC		DIST		REVISONS			
P	LTR	DESCRIPTION	DATE	BY	APPD		
A	66	SEE ECO-06-008180	06APR2006	DP	MC		

DIMENSIONS:		TOLERANCES UNLESS OTHERWISE SPECIFIED:	
mm [IN]		0 PLC	±
		1 PLC	±
		2 PLC	±
		3 PLC	±
		4 PLC	±
		ANGLES	±

PART NO	DESCRIPTION	ITEM NO
1338705-3	DOCUMENTATION PACKAGE	71
461264-5	PLATE, IDENTIFICATION	67
21017-2	SCREW, DRIVE	66
3-18031-0	SCR, SET, CUP POINT M6 X 6.0	63
2-18032-5	SCR, SET, FLT POINT M5 X 20.0	61
18024-7	SCR, BTN SKT HD CAP (M4 X 10.0)	60
5-18022-2	SCR, HEX HD CAP M4 X 8.0	59
985575-3	SCR, FLT SKT HD CAP M3 X 10.0	57
1338685-1	PAWL, FEED	56
18024-8	SCR, BTN SKT HD CAP (M4 X 12.0)	54
1-18023-2	SCR, SKT HD CAP M4 X 12.0	53
18030-1	NUT, HEX, REG M3	52
811242-5	BUMPER, HOLD DOWN	51
690753-2	SPACER, TONKER	50
18024-3	SCR, BTN SKT HD CAP (M3 X 10.0)	49
1338675-1	CAM, UNIVERSAL PRE FEED	48
1338676-1	CAM, UNIVERSAL POST-FEED	47
1320999-3	APPLICATOR SUBASSEMBLY, HDI	46
690191-1	PLUG, NYLON	45
1338660-1	RAM	44
2-18024-6	SCR, BTN SKT HD CAP (M8 X 25.0)	41
690125-1	SHIM SUB-ASSY	39
469367-2	SHIM	38
879103-2	DISC, ADJUSTABLE GEITNER	37
1-1320934-3	SUPPORT, TERMINAL	34
1-18024-0	SCR, BTN SKT HD CAP (M4 X 20.0)	33
18027-2	WASHER, FLAT, REG M4	32
1-18023-2	SCR, SKT HD CAP M4 X 12.0	31
1320908-1	SPACER, STRIP GUIDE	30
1633073-2	STRIP GUIDE ASSEMBLY	29
1-455888-4	SPACER, CRIMPER	28
1-22284-0	SPRING, COMPRESSION	27
356835-1	LEVER, DRAG RELEASE	26
240792-1	DRAG, TERMINAL	25
1320928-1	PLATE, STRIP GUIDE	24
980371-4	SCR, SKT HD SHLDR 5.0 DIA X 6.0	23
690472-2	STRIPPER	22
1-18023-1	SCR, SKT HD CAP M4 X 10.0	21
18025-2	WASHER, SPRG LOCK, REG M4	20
690472-1	STRIPPER	19
1338684-2	HOLDER, SHEAR, NO-CUT	17
3-22280-3	SPRING, COMPRESSION	12
356885-5	STOP, SHEAR	11
1-1320921-0	SHEAR HOLDER, FRONT, CUT	10
318707-1	FLOATING SHEAR, FRONT	9
1-1333206-9	ANVIL, COMBINATION	8
1338680-1	DEPRESSOR, SHEAR	5
238011-2	BLOCK, CRIMPER SPACER	4
1-904741-3	CRIMPER, INSUL O PREMIUM	3
456407-9	CRIMPER, WIRE PREMIUM	1

PART NO	DESCRIPTION	ITEM NO
-77		83
-76		82
-72		81
-71		80
-6		79
-2		78
-1		77
		76
		75
		74

TYCO Electronics
Tyco Electronics
Harrisburg, PA 17105-3608

FINE ADJUST SIDE FEED HDI APPLICATOR

SCALE 3:5 SHEET 1 OF 1 REV A