

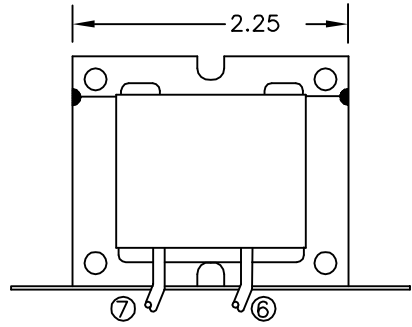
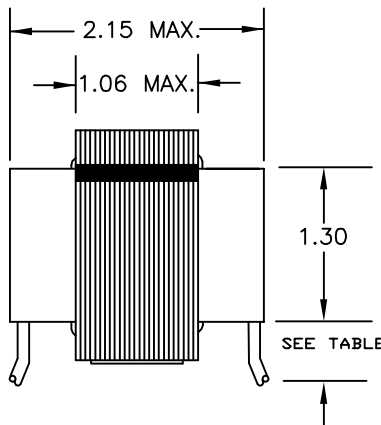
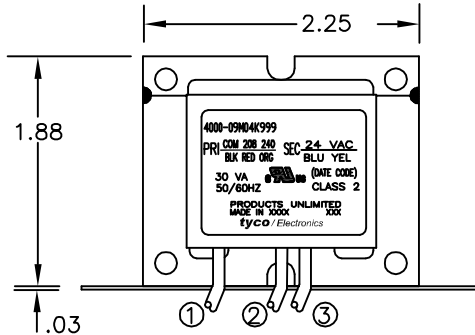
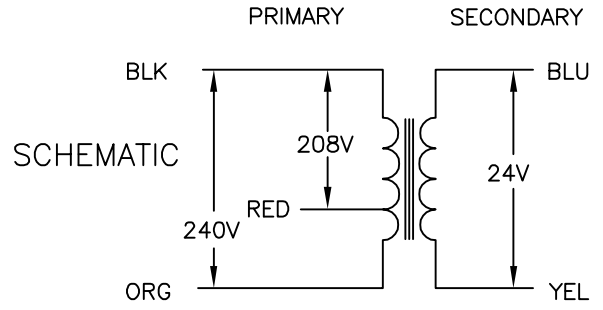
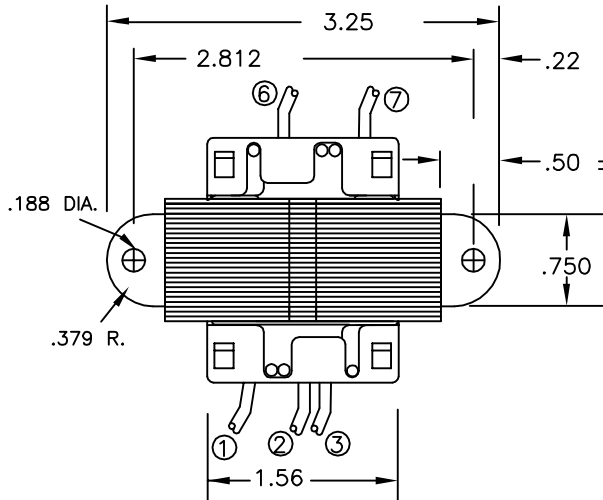
ALL LEADS 18AWG--UNLESS OTHERWISE SPECIFIED

PRIMARY					
LEAD NO.	1	2	3	4	5
VOLTAGE	COM	208	240		
COLOR	BLK	RED	ORG		
LENGTH	12.0	12.0	12.0		
STRIP LENGTH	.50	.50	.50		

- NOTES
- DIMENSIONS FOR REFERENCE ONLY.
 - ALL LEADS +1"/-0" TOL.
 - STRIP TOL. ±1/32
 - WINDING PROTECTION--INHERENTLY LIMITING

CERTIFICATION: UL & CUL FILE NO. E87824

SECONDARY				
LEAD NO.	6	7	8	9
VOLTAGE	COM	24		
COLOR	BLU	YEL		
LENGTH	12.0	12.0		
STRIP LENGTH	.50	.50		



4000-09M04K999
 PRI COM 208 240 SEC 24 VAC
 BLK RED ORG BLU YEL
 (DATE CODE)
 30 VA 50/60HZ CLASS 2
 PRODUCTS UNLIMITED
 MADE IN 2000
 tyco Electronics

THIS DRAWING IS A CONTROLLED DOCUMENT.

DIMENSIONS:	TOLERANCES UNLESS OTHERWISE SPECIFIED:
INCHES	
0 PLC	± .
1 PLC	± .
2 PLC	± .
3 PLC	± .
4 PLC	± .
ANGLES	± 1'

MATERIAL	FINISH
-	-

DWN	M.DAVIS	23FEB04
CHK	K.HOLSCHUH	23FEB04
APVD	K.HOLSCHUH	23FEB04
PRODUCT SPEC		
APPLICATION SPEC		
WEIGHT		

CUST. NO.	TYCO PART NUMBER
-	3-1611450-9

Products Tyco Electronics Corporation
 HARRISBURG, PA 17105-3608

NAME			
TRANSFORMER OUTLINE			
-			
-			

SIZE	CAGE CODE	DRAWING NO	RESTRICTED TO
A3	00779	C=4000-09M04K999	-

CUSTOMER DRAWING	SCALE	SHEET	OF	REV
	NTS	1	1	A