



Omron

G5LA-1-E-CF DC5

Hlutanúmer:

G5LA-1-E-CF DC5

Framleiðandi / Vöruerki:

Omron

Vörulýsing

RELAY GENERAL PURPOSE SPDT 5A 5V

Gagnablað:

 G5LA-1-E-CF DC5.pdf

RoHS Staða

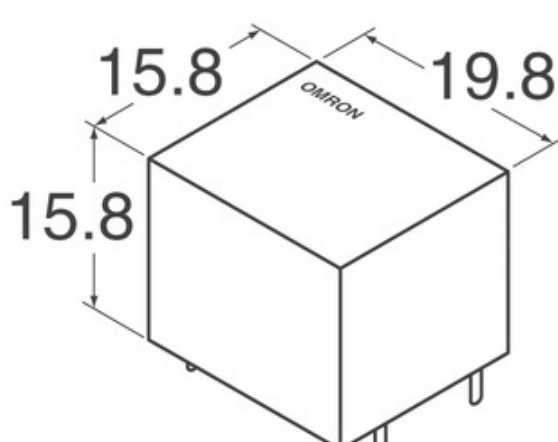
 Leiða frjálts / RoHS samhæft

Skip frá

Hong Kong

Sending vegur


DHL/Fedex/TNT/UPS/EMS



Mynd getur verið fulltrúi. Sjá upplýsingar um upplýsingar um vörur.

[BEIÐNI UM TILVITNUN](#)

Upplýsingar um G5LA-1-E-CF DC5

| | |
|---------------------------------|---|
| HLUTANÚMÉR | G5LA-1-E-CF DC5 |
| FRAMLEIÐANDI | Omron |
| LÝSING | RELAY GENERAL PURPOSE SPDT 5A 5V |
| LEIÐA FRJÁLS STAÐA / ROHS STAÐA | Leiða frjálts / RoHS samhæft |
| GÖGN |  G5LA-1-E-CF DC5.pdf |
| KVEIKJA Á SPENNA (HÁMARK) | 3.75 VDC |
| SLÖKKVA Á SPENNU (MIN) | 0.5 VDC |
| UPPSAGNARSTÍLL | PC Pin |
| SKIPTA SPENNU | 250VAC, 24VDC - Max |
| RÖÐ | G5LA |
| SLEPPTU TÍMA | 5ms |
| RELAY TYPE | General Purpose |
| PÖKKUN | Tray |
| ÖNNUR NÖFN | G5LA-1-E-CF DC5-ND G5LA-1-E-CFDC5 G5LA1ECFDC5 |
| VINNUHITASTIG | -40°C ~ 85°C |
| STARFAÐU TÍMA | 10ms |
| UPPSETNINGARTEGUND | Through Hole |
| VÖKTUNARNÆMISSTIG (MSL) | 1 (Unlimited) |
| LEIÐA FRJÁLS STAÐA / ROHS STAÐA | Lead free / RoHS Compliant |
| LÖGUN | Insulation - Class F, Sealed - Flux Protection |
| NÁKVÆM LÝSING | General Purpose Relay SPDT (1 Form C) 5VDC Coil Through Hole |
| TENGILIÐUR EINKUNN (NÚVERANDI) | 5A |
| SNERTINGAREFNI | Silver Tin Oxide (AgSnO) |
| TENGILIÐUR | SPDT (1 Form C) |
| SPÓLU SPENNA | 5VDC |
| SPÓLU TEGUND | Non Latching |
| SPÓLUPÓL | 69 Ohms |
| SPÓLUORKA | 360 mW |
| SPÓLU NÚVERANDI | 72.0mA |

Svipaðir merkingar

| | | |
|---------------------------------------|--|---|
| Omron G5LA-1-E-CF DC5 | G5LA-1-E-CF DC5 dreifingaraðili | G5LA-1-E-CF DC5 birgir |
| G5LA-1-E-CF DC5 verð | G5LA-1-E-CF DC5 Myndir | G5LA-1-E-CF DC5 mynd |
| G5LA-1-E-CF DC5 PDF gagnablað | G5LA-1-E-CF DC5 niðurhal gagnablað | G5LA-1-E-CF DC5 gagnablað |
| G5LA-1-E-CF DC5 lager | Kauptu G5LA-1-E-CF DC5 | Kauptu Omron G5LA-1-E-CF DC5 |
| Omron G5LA-1-E-CF DC5 | Omron birgir | Omron dreifingaraðili |
| Omron G5LA-1-E-CF DC5 | Omron Electronics Inc-IA Div G5LA-1-E-CF DC5 | Omron Electronics Inc-EMC Div G5LA-1-E-CF DC5 |
| Omron Electronics LLC G5LA-1-E-CF DC5 | | |

skyldar vörur

| | |
|--|--|
|  <p>G5LA-1-E-CF DC12 Framleiðendur: Omron Lýsing: RELAY GEN PURPOSE SPDT 5A 12V Á lager: Out stock RFQ</p> |  <p>G5LA-1-E-CF DC24 Framleiðendur: Omron Lýsing: RELAY GEN PURPOSE SPDT 5A 24V Á lager: Out stock RFQ</p> |
|  <p>G5LA-1-E-CF DC48 Framleiðendur: Omron Lýsing: RELAY GEN PURPOSE SPDT 5A 48V Á lager: Out stock RFQ</p> |  <p>G5LA-14 DC24 Framleiðendur: Omron Lýsing: RELAY GEN PURPOSE SPDT 5A 24V Á lager: Out stock RFQ</p> |
|  <p>G5LA-1-E-CF-SP DC12 Framleiðendur: Omron Lýsing: RELAY GEN PURPOSE SPDT 5A 12V Á lager: Out stock RFQ</p> |  <p>G5LA-1-E DC9 Framleiðendur: Omron Lýsing: RELAY GENERAL PURPOSE SPDT 5A 9V Á lager: Out stock RFQ</p> |
|  <p>G5LA-14 DC12 Framleiðendur: Omron Lýsing: RELAY GEN PURPOSE SPDT 5A 12V Á lager: Out stock RFQ</p> |  <p>G5LA-1-E DC5 Framleiðendur: Omron Lýsing: RELAY GENERAL PURPOSE SPDT 5A 5V Á lager: Out stock RFQ</p> |
|  <p>G5LA-1-E DC48 Framleiðendur: Omron Lýsing: RELAY GEN PURPOSE SPDT 5A 48V Á lager: Out stock RFQ</p> |  <p>G5LA-14 DC48 Framleiðendur: Omron Lýsing: RELAY GEN PURPOSE SPDT 5A 48V Á lager: Out stock RFQ</p> |
|  <p>G5LA-1-HA DC12 Framleiðendur: Omron Lýsing: RELAY GEN PURPOSE SPDT 5A 12V Á lager: Out stock RFQ</p> |  <p>G5LA-1-E-CF DC9 Framleiðendur: Omron Lýsing: RELAY GENERAL PURPOSE SPDT 5A 9V Á lager: Out stock RFQ</p> |