

VC-MEMV-A4

Order No.: 1884351

The illustration shows version VC-MEMV-A6



<http://eshop.phoenixcontact.de/phoenix/treeViewClick.do?UID=1884351>

Panel mounting base, made of metal, EMC-coated type 4, number of modules 5, cable screw connection Pg21

| Commercial data | |
|--------------------------|--------------------|
| EAN | 4017918164386 |
| Pack | 5 pcs. |
| Customs tariff | 79070090 |
| Weight/Piece | 0.58 KG |
| Catalog page information | Page 370 (PC-2009) |

Product notes

WEEE/RoHS-compliant since:
11/08/2006



<http://www.download.phoenixcontact.com>
Please note that the data given here has been taken from the online catalog. For comprehensive information and data, please refer to the user documentation. The General Terms and Conditions of Use apply to Internet downloads.

Technical data**General characteristics**

| | |
|---------------------------------|---|
| Note | When using fiber optics, the bending radii of the cable manufacturers must be observed. |
| Design | VC4 |
| Degree of protection | IP65/IP66/IP67 |
| Type of the screw connection | 1x Pg21 |
| Pg screw connection | None |
| Height | 61 mm |
| Number of module slots | 5 |
| Housing material | Zinc die-cast |
| Housing surface material | Nickel-plated |
| Seal material | EPDM, conductive |
| Ambient temperature (operation) | -40 °C ... 125 °C |

Certificates / Approvals

| | |
|---------------|------|
| Certification | GOST |
|---------------|------|

Accessories

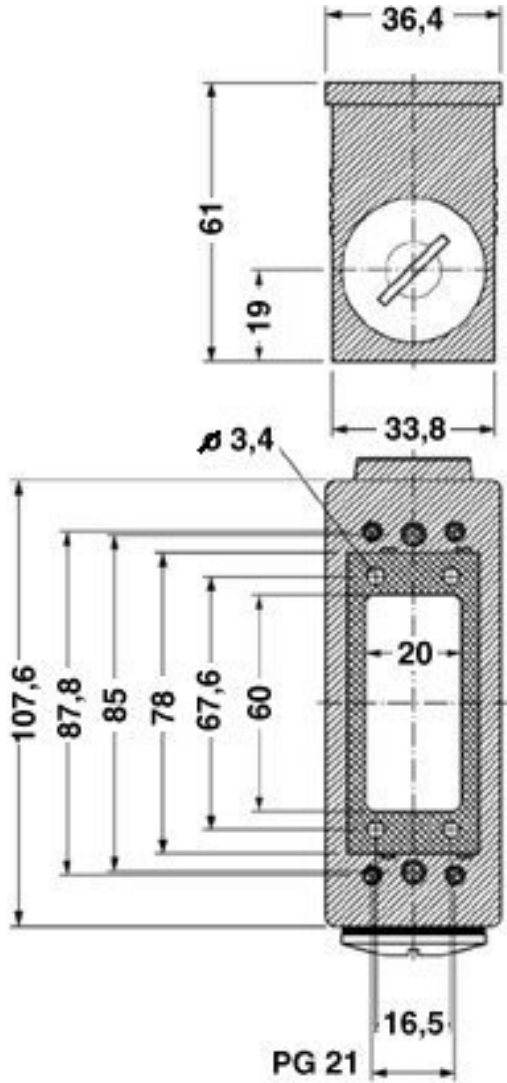
| Item | Designation | Description |
|------|-------------|-------------|
|------|-------------|-------------|

Marking

| | | |
|---------|-----------|--|
| 1852875 | VC-BZS WH | Marker labels, unprinted, 5-section, for individual labeling with M-PEN or CMS system, white |
|---------|-----------|--|

Diagrams/Drawings

Dimensioned drawing



Address

PHOENIX CONTACT Deutschland GmbH
Flachmarktstr. 8
32825 Blomberg, Germany
Phone +49 5235 3 12000
Fax +49 5235 3 41200
<http://www.phoenixcontact.de>



© 2010 Phoenix Contact
Technical modifications reserved;