

IEC Appliance Inlet C8, insert Mounting, Solder, PCB or Quick-connect Terminal



See below:

Approvals and Compliances

Description

- Drop-in type
- Appliance Inlet , Pin temperature 70 °C , Protection class II
- Solder, Quick Connect or PCB Terminal

Characteristics

- Contact pins are turned from solid material

References

We recommend for new applications the type [0720-FP](#)

Weblinks

[pdf datasheet](#), [html-datasheet](#), [General Product Information](#), [Distributor-Stock-Check](#), [Accessories](#), [Detailed request for product](#)

Technical Data

| | |
|---------------------------------|--|
| Ratings IEC | 2.5 A / 250 VAC; 50 Hz |
| Ratings UL/CSA | 7 A / 125 VAC; 60 Hz |
| Dielectric Strength | > 4 kVAC between L-N > 2 kVAC between L/N-PE (1 min/50 Hz) |
| Allowable Operation Temperature | -25 °C to 70 °C |
| IP-Protection | from front side IP 20 acc. to IEC 60529 |
| Insulation cover | Suitable for appliances with protection class II acc. to IEC 61140 |
| Terminal | Solder, Quick Connect or PCB Terminal straight |
| Material: Housing | PA6, black / grey / white, UL 94V-0 |

| | |
|-------------------------|--|
| appliance inlet/-outlet | C8 acc. to IEC 60320-1 UL 498, CSA C22.2 no. 42 (for cold conditions) pin-temperature 70 °C, 2.5 A, Protection Class II |
|-------------------------|--|

Approvals and Compliances

Detailed information on product approvals, code requirements, usage instructions and detailed test conditions can be looked up in [Details about Approvals](#)

Approvals




The approval mark is used by the testing authorities to certify compliance with the safety requirements placed on electronic products.

Approval Reference Type: 2572

| Approval Logo | Certificates | Certification Body | Description |
|---------------|-------------------------------|--------------------|----------------------------------|
| | VDE Approvals | VDE | VDE Certificate Number: 40002274 |
| | UL Approvals | UL | UL File Number: E96454 |
| | CSA Approvals | CSA | CSA Certification Record: 27324 |
| | CQC Approvals | CQC | CCC Certificate Number: |


Product standards

Product standards that are referenced

| Organization | Design | Standard | Description |
|--|-----------------------|------------------|---|
|  | Designed according to | IEC 60320-1 | Appliance couplers for household and similar general purposes |
|  | Designed according to | UL 498 | Standard for Attachment Plugs and Receptacles |
|  | Designed according to | CSA C22.2 no. 42 | General Use Receptacles, Attachment Plugs, and Similar Wiring Devices |





Application standards

Application standards where the product can be used

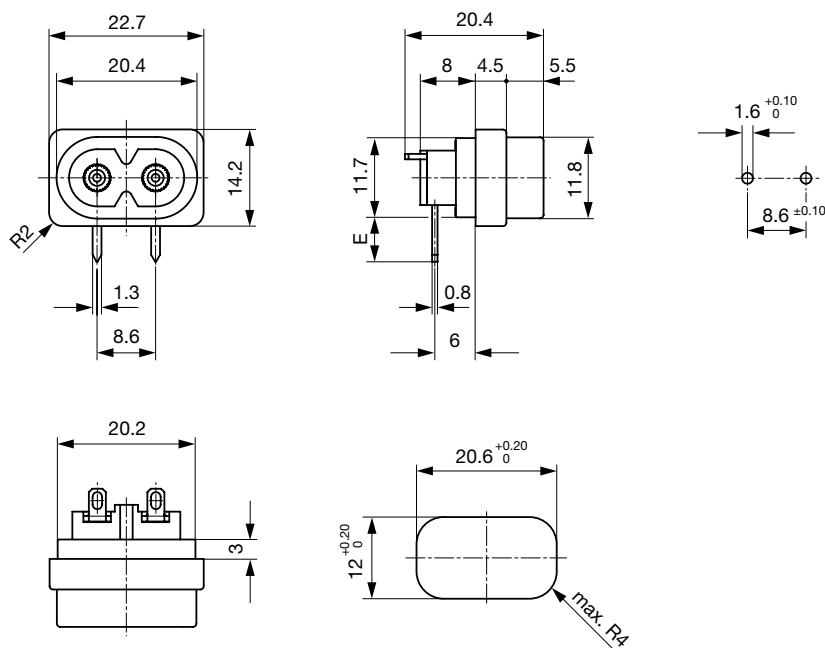
| Organization | Design | Standard | Description |
|--|--------------------------------|--------------|---|
|  | Designed for applications acc. | IEC/UL 60950 | IEC 60950-1 includes the basic requirements for the safety of information technology equipment. |

Compliances

The product complies with following Guide Lines

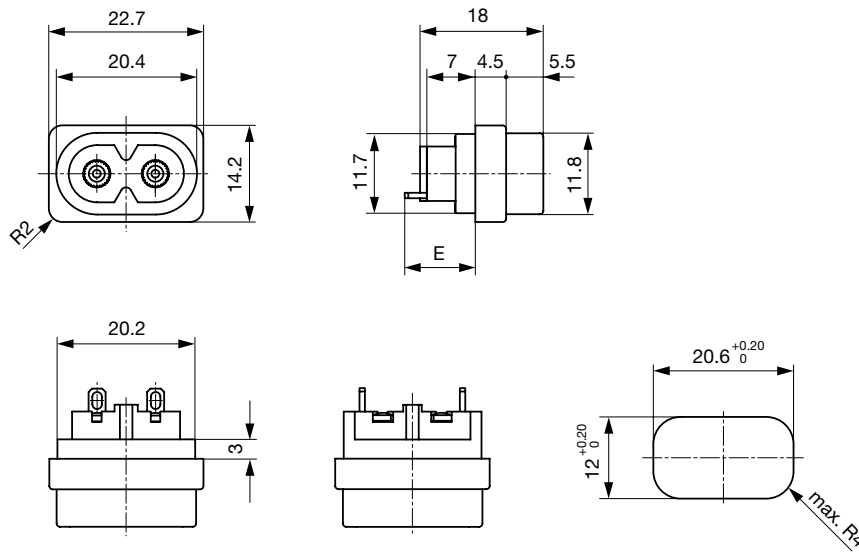
| Identification | Details | Initiator | Description |
|---|--|-------------|---|
|  | CE declaration of conformity | SCHURTER AG | The CE marking declares that the product complies with the applicable requirements laid down in the harmonisation of Community legislation on its affixing in accordance with EU Regulation 765/2008. |
|  | RoHS | SCHURTER AG | EU Directive RoHS 2011/65/EU |
|  | China RoHS | SCHURTER AG | The law SJ / T 11363-2006 (China RoHS) has been in force since 1 March 2007. It is similar to the EU directive RoHS. |
|  | REACH | SCHURTER AG | On 1 June 2007, Regulation (EC) No 1907/2006 on the Registration, Evaluation, Authorization and Restriction of Chemicals 1 (abbreviated as "REACH") entered into force. |

Dimensions [mm]



E = PCB terminal standard (additional solder): 6.8 mm
 E = PCB terminal short (additional solder): 0.6 mm
 E = PCB terminal long (additional solder): 15.8 mm
 E = PCB terminal standard: 6.5 mm
 E = PCB terminal short: 5.0 mm
 E = PCB terminal long: 7.6 mm

Quick connect or solder terminal in orientation A (horizontal) or B (vertical)



- E = Solder terminal short: 10.5 mm
- E = Solder terminal long: 14.2 mm
- E = Quick-connect terminal 2.8x0.8 mm: 16.5 mm
- E = Quick-connect terminal 4.8x0.8 mm: 15.0 mm (only orientation B)

Config. Code

2572 - H - A B C 0 - D - E G F

The characters are placeholders for the correspondingly keys of selections from the key tables.

2572 - **H** - A B C 0 - D - E G F = Type

| Type | Configuration key |
|---------------------|-------------------|
| protection class II | X |

2572 - H - **A** B C 0 - D - E G F = Terminals

| Terminal L | Configuration key |
|--|-------------------|
| short solder terminal (L = 4.8 mm) | 2 |
| long solder terminal (L = 8.5 mm) | 3 |
| PCB-terminal standard (additional solder terminal) | 4 |
| PCB-terminal short (additional solder terminal) | 5 |

Terminal L

Configuration key

| | | |
|--|--|---|
| PCB-terminal long (additional solder terminal) | | 6 |
| Blade terminal (2.8 x 0.8 mm) | | 7 |
| Blade terminal (4.8 x 0.8 mm) | | 8 |
| PCB-terminal (standard) | | A |
| PCB-terminal (short) | | B |
| PCB-terminal (long) | | C |

2572 - H - A **B** C 0 - D - E G F = Terminals

| Terminal N | Configuration key |
|--|-------------------|
| short solder terminal (L = 4.8 mm) | 2 |
| long solder terminal (L = 8.5 mm) | 3 |
| PCB-terminal standard (additional solder terminal) | 4 |
| PCB-terminal short (additional solder terminal) | 5 |
| PCB-terminal long (additional solder terminal) | 6 |
| Blade terminal (2.8 x 0.8 mm) | 7 |
| Blade terminal (4.8 x 0.8 mm) | 8 |
| PCB-terminal (standard) | A |
| PCB-terminal (short) | B |
| PCB-terminal (long) | C |

Symbols similar as in table A

2572 - H - A B C 0 - D - E G F = Terminals

| Terminal Ground | Configuration key |
|------------------|-------------------|
| without terminal | 0 |

Symbols similar as in table A

2572 - H - A B C 0 - D - E G F = Color

| Color | Configuration key |
|-------|-------------------|
| Black | A |
| Grey | B |
| White | D |

2572 - H - A B C 0 - D - E G F = Style

| Style | Configuration key |
|-------------|-------------------|
| insert type | 5 |

2572 - H - A B C 0 - D - E G F = Dimension S

| Dimension "S" | Configuration key |
|---------------|-------------------|
| 00 | |

The dimension "S" is displayed in ($\frac{1}{10}$ mm). This information is also valid for the order code

2572 - H - A B C 0 - D - E G F = Orientation of Terminals

| Orientation of Terminals | Configuration key |
|--------------------------|-------------------|
| horizontal | A |
| vertical | B |

All Variants

| Terminals L / N | Orientation of Terminals | Color | Style | Config. Code | Order Number |
|---|--------------------------|-------|-------------|--------------------|--------------|
| short solder terminal (L = 4.8 mm) | horizontal | Black | insert type | 2572-X-2200-A-500A | 6160.0008 |
| PCB-terminal short (additional solder terminal) | horizontal | Black | insert type | 2572-X-5500-A-500A | 6160.0009 |
| PCB-terminal long (additional solder terminal) | horizontal | Black | insert type | 2572-X-6600-A-500A | 6160.0010 |
| Blade terminal (4.8 x 0.8 mm) | vertical | Black | insert type | 2572-X-8800-A-500B | 6160.0026 |
| PCB-terminal (long) | horizontal | Black | insert type | 2572-X-CC00-A-500A | 6160.0030 |
| PCB-terminal (short) | horizontal | Black | insert type | 2572-X-BB00-A-500A | 6160.0044 |

The listed variants should be available from stock. Other versions on request www.schurter.com/contact

Most Popular.

Availability for all products can be searched real-time: <https://www.schurter.com/en/Stock-Check/Stock-Check-SCHURTER>

Packaging unit 100 Pcs

Accessories

Description



Wire Harness
Wire harness for SCHURTER products

Mating Outlets/Connectors

Category / Description

[Power Cord Overview complete](#)



Cord Sets 2.5 A, IEC Connector, Black, 2.0 m, H03VVH2-F 2x0,75mm², Connector IEC C7, 001500 mm, H03VVH2-F2G0.75, black [6013.0474](#)

Cord Sets 2.5 A, IEC Connector, Black, 4.0 m, H03VVH2-F 2x0,75mm², Connector IEC C7, 001500 mm, H05VVH2-F2G0.75, black [6013.0478](#)

[Power Cord further types to 2572](#)

[Power Supply Cord Overview complete](#)



Cord Sets 2.5 A, North America, Black, 2.0 m, SVT 2x18AWG, Connector IEC C7, 002500 mm, NISPT-2, black [6010.5274](#)

Cord Sets 2.5 A, North America, Black, 4.0 m, SVT 2x18AWG, Connector IEC C7, 002500 mm, NISPT-2, black [6010.5278](#)

[Power Supply Cord further types to 2572](#)